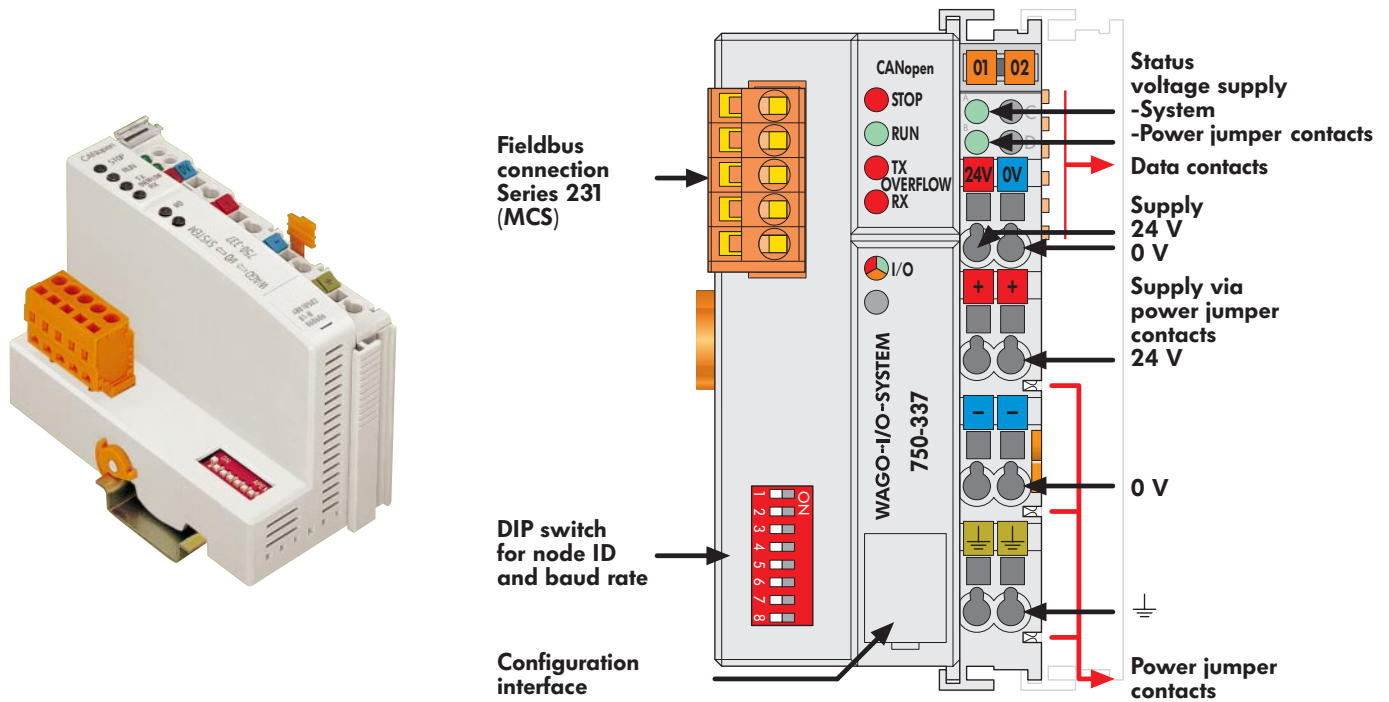


CANopen
Fieldbus Coupler; 10 kbaud ... 1 Mbaud; digital and analog signals



This buscoupler allows connection of the WAGO I/O SYSTEM as a slave to the CANopen fieldbus. The module data is transmitted using PDOs and SDOs.

The buscoupler is capable of supporting all bus modules. The buscoupler automatically configures, creating a local process image which may include analog, digital or specialty modules. Analog and specialty module data is sent via words and/or bytes, digital data is sent bit by bit.

CANopen allows the storing of the process image in the corresponding Master control (PLC, PC or NC).

The local process image is divided into two data zones containing the data received and the data to be sent. The process data can be sent via the CANopen fieldbus to the PLC, PC or NC for further processing, and received from the field via CANopen.

The data of the analog modules is stored in the PDOs according to the order in which the modules are connected to the buscoupler. The bits of the digital modules are sent byte by byte and also mapped in the PDOs. If the amount of digital information exceeds 8 bits, the buscoupler automatically starts with a new byte.

All entries of the object dictionary can be mapped - as the user likes - in the 32 Rx PDOs and 32 Tx PDOs. The complete input and output process image can be transmitted using SDOs.

Note: EDS files required

Description	Item-No.	Pack.-unit pcs	System Data	
CANopen	750-337	1	No. of nodes	110
			Transmission medium	shielded Cu cable 3 x 0.25 mm ²
			Max. length of bus line	30 m ... 1000 m (depends on the baud rate/on the cable)
			Baud rate	10 kbaud ... 1 Mbaud
			Buscoupler connection	5-pole male connector, series 231 (MCS) female connector 231-305/010-000 is included

